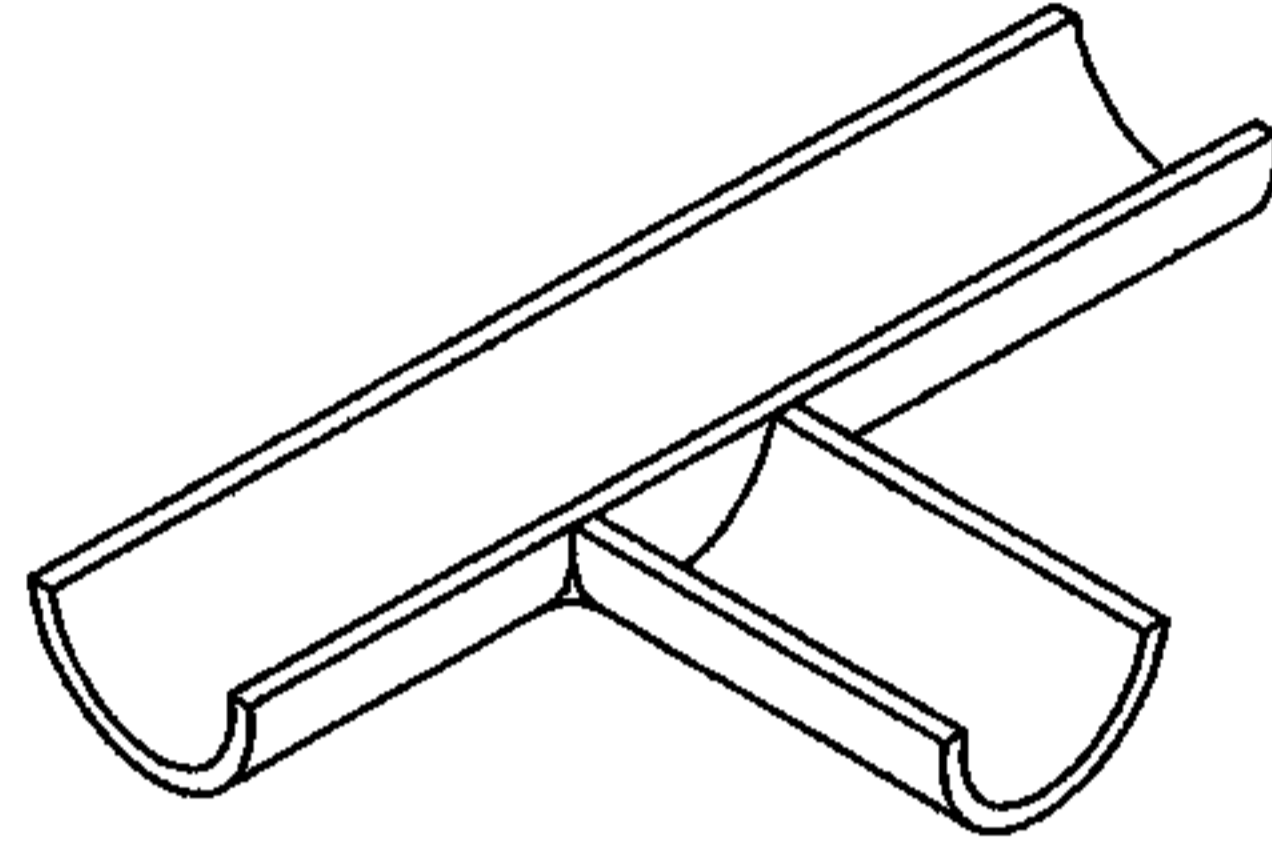


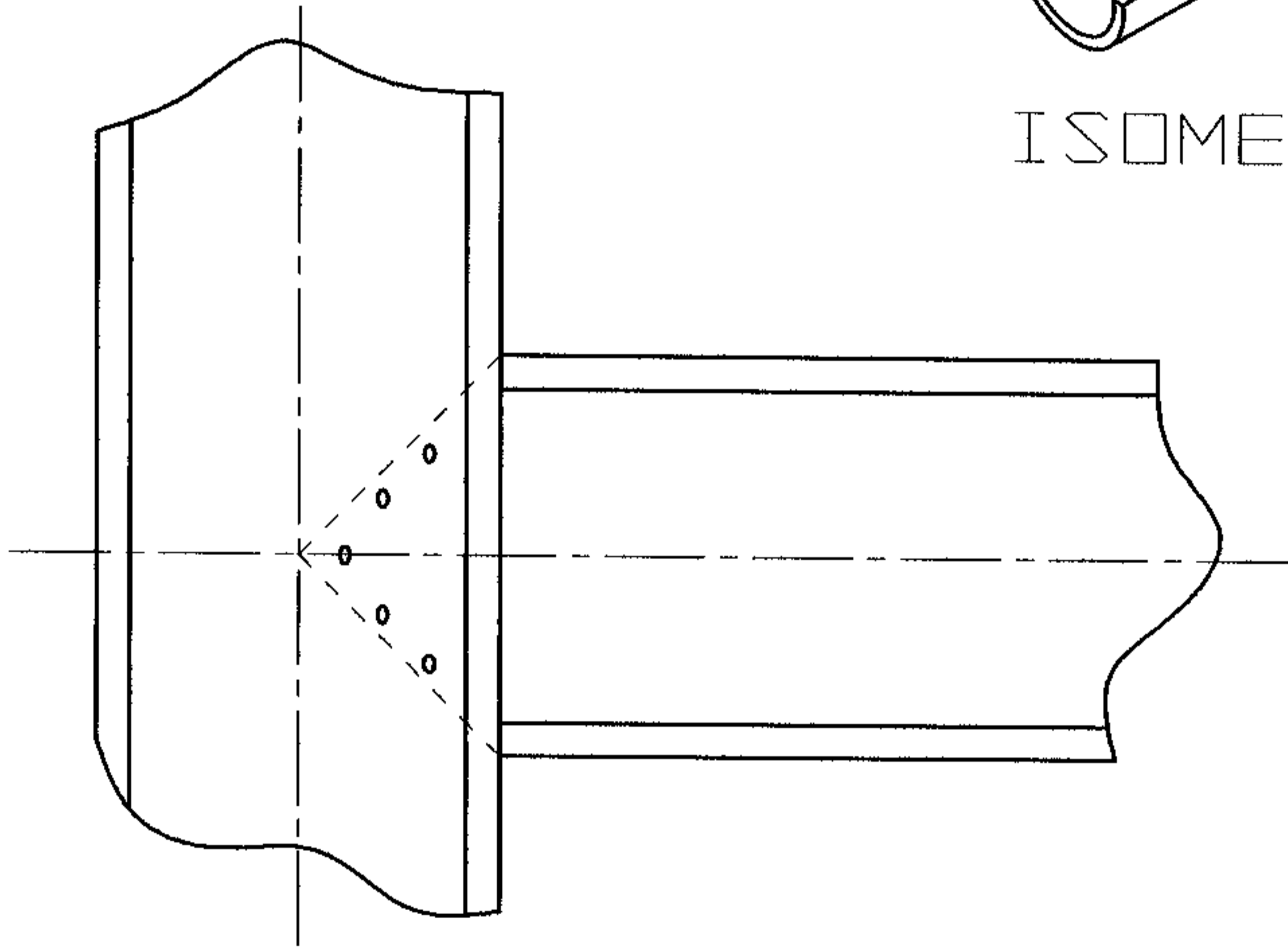
THERMAL  
STRUCTURES  
INC

# FIRE BARRIER

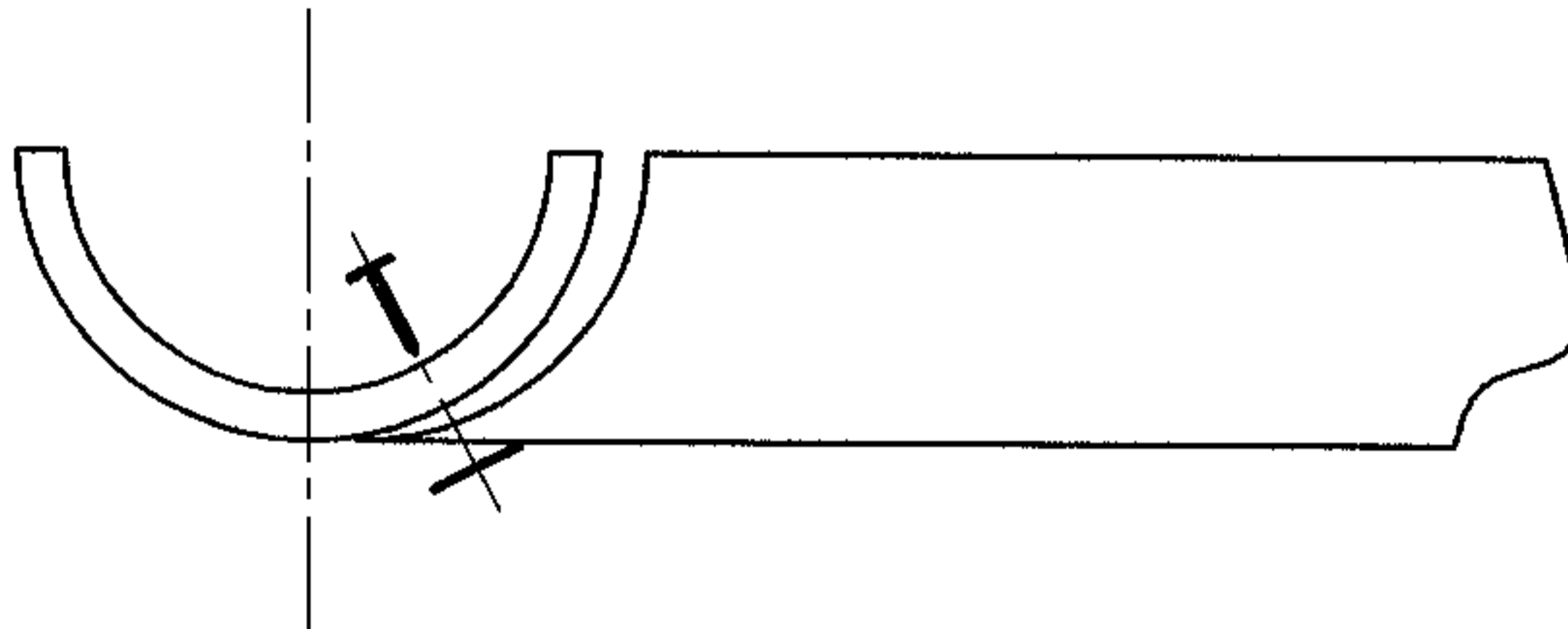
## "T" INTERSECTION SPLICE INSTALLATION INSTRUCTIONS



ISOMETRIC VIEW



PLAN VIEW



ELEVATION