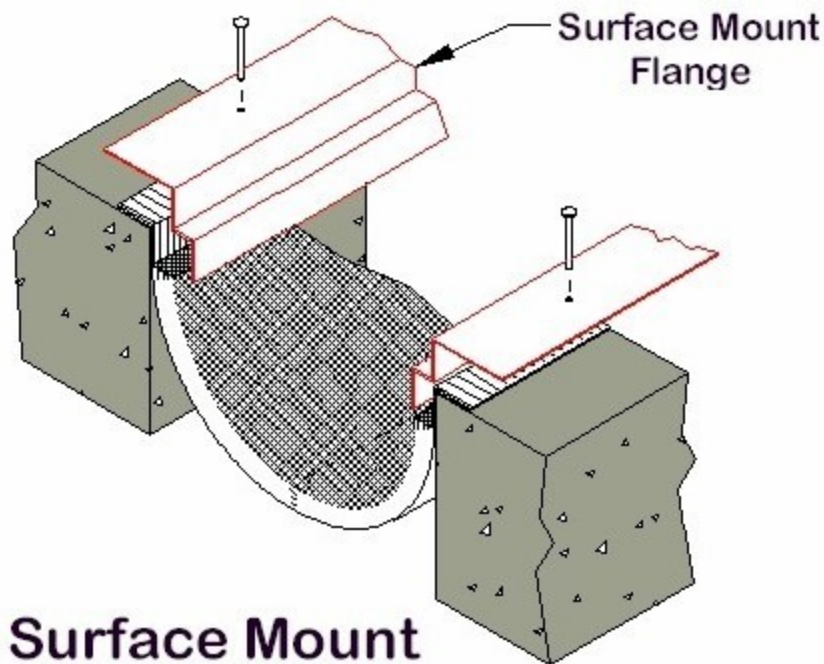
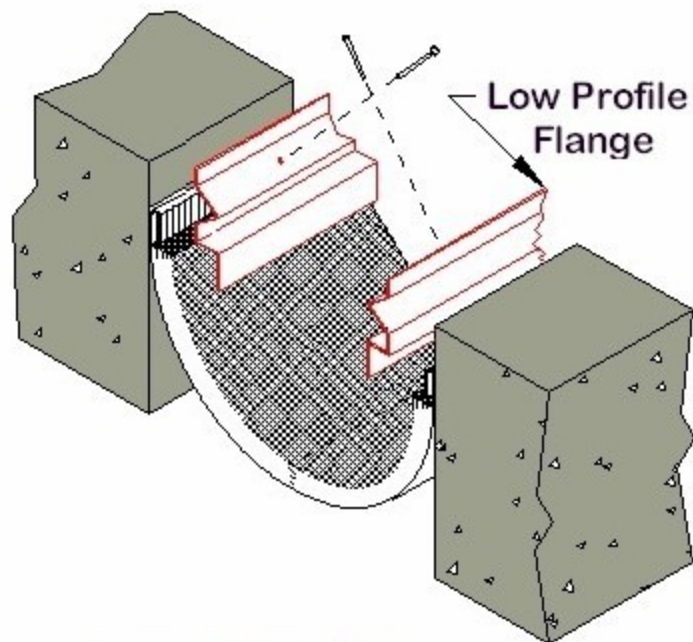


Flange Mounting Options



**Surface Mount
Flange Installation**



**Low Profile
Flange Installation**

Surface mount flanges extend outside the expansion joint opening. Low profile flanges are designed to mount within the expansion joint opening.

Flanges shown above are for illustration purposes only. Actual flange shape may vary depending on the width of the expansion joint.