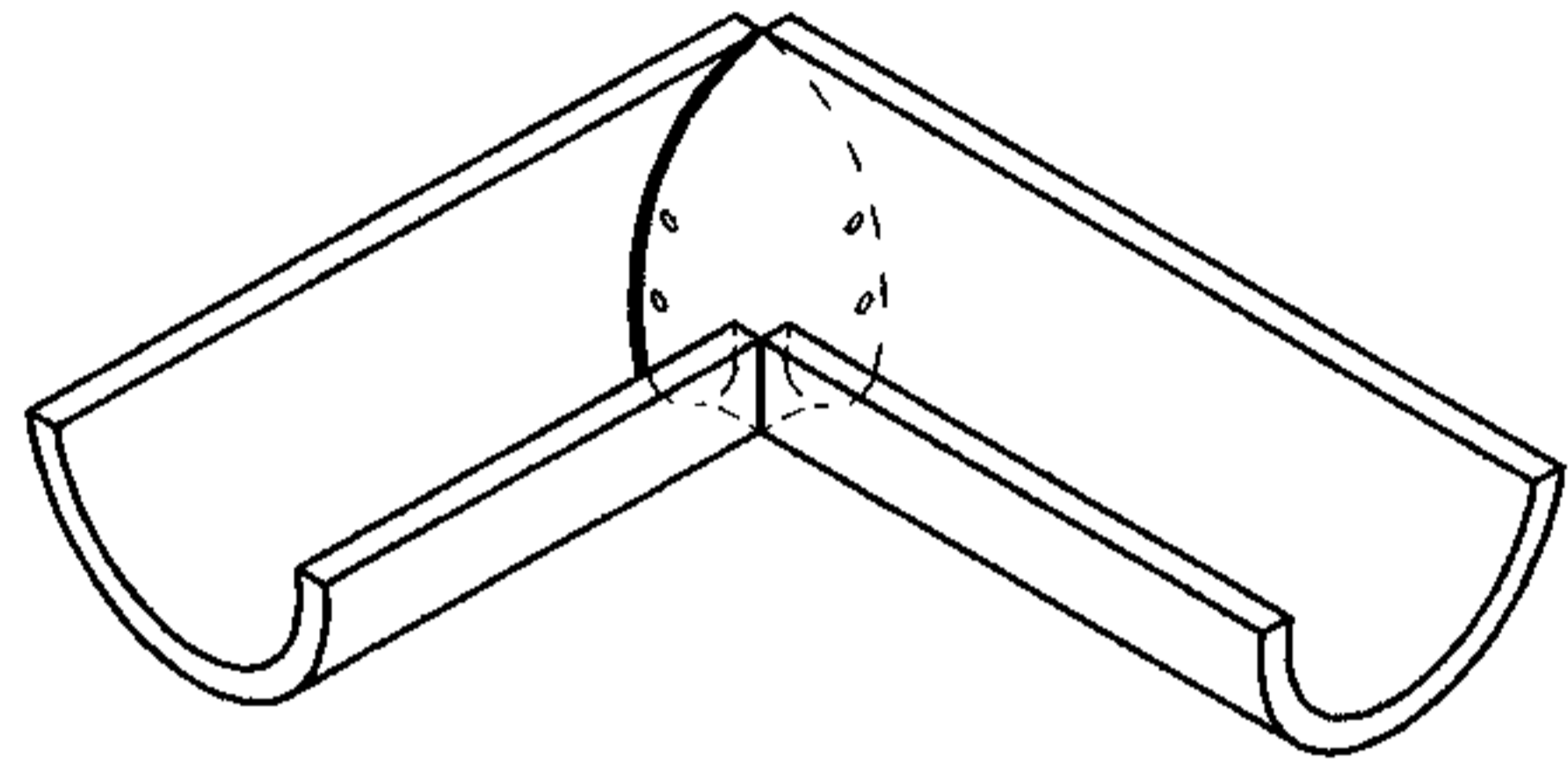


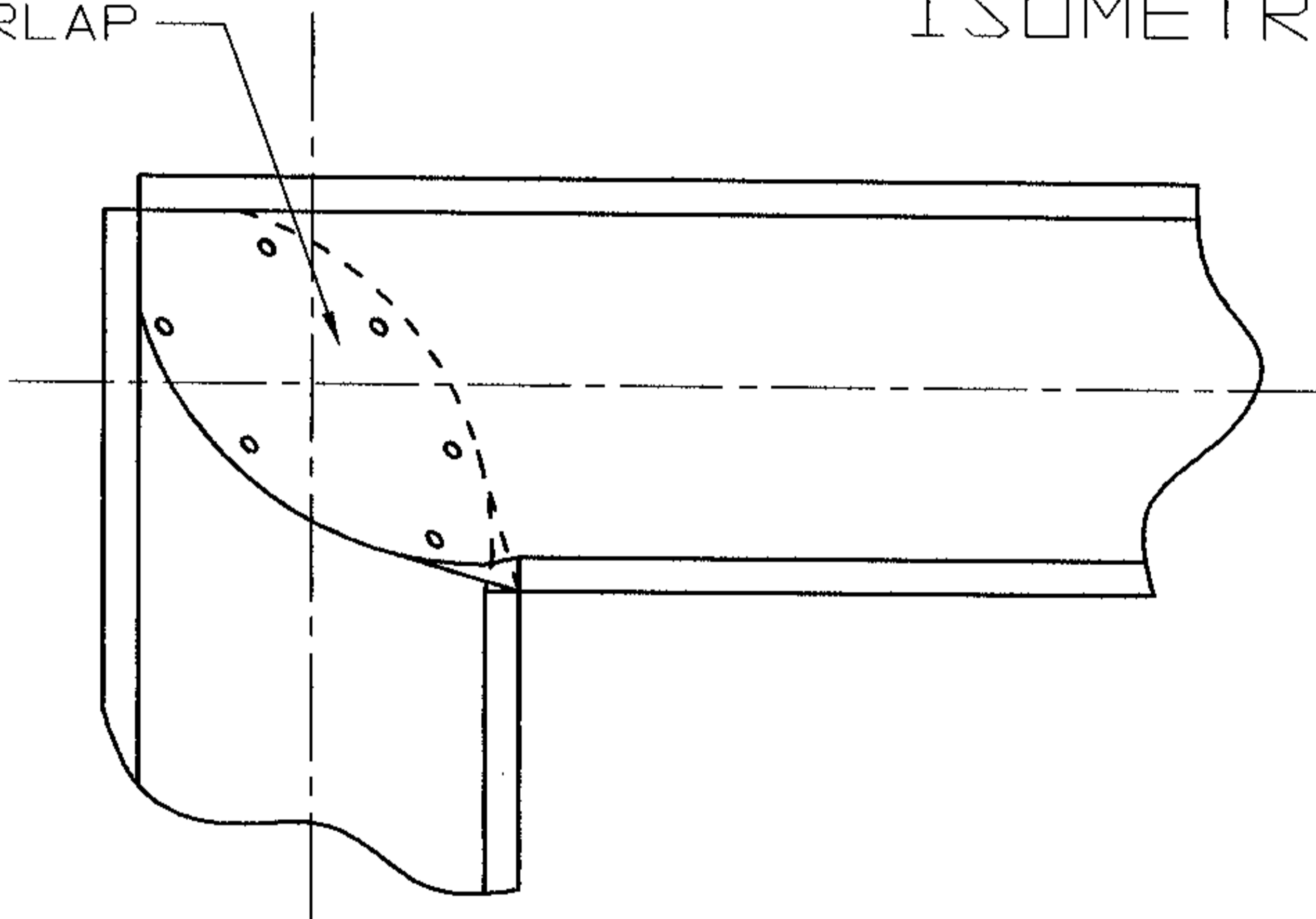
THERMAL
STRUCTURES
INC

FIRE BARRIER
90° INTERSECTION SPLICE
INSTALLATION INSTRUCTIONS

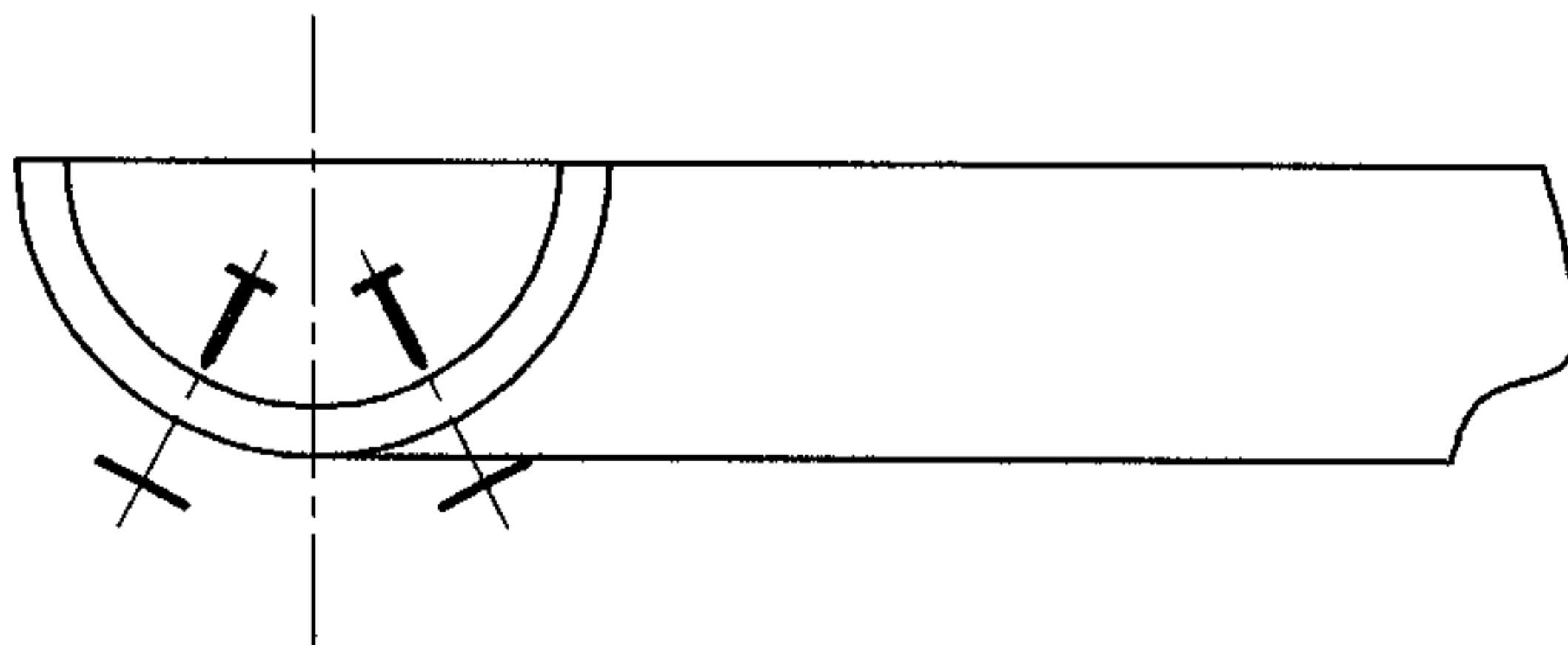


ISOMETRIC VIEW

OVERLAP



PLAN VIEW



ELEVATION