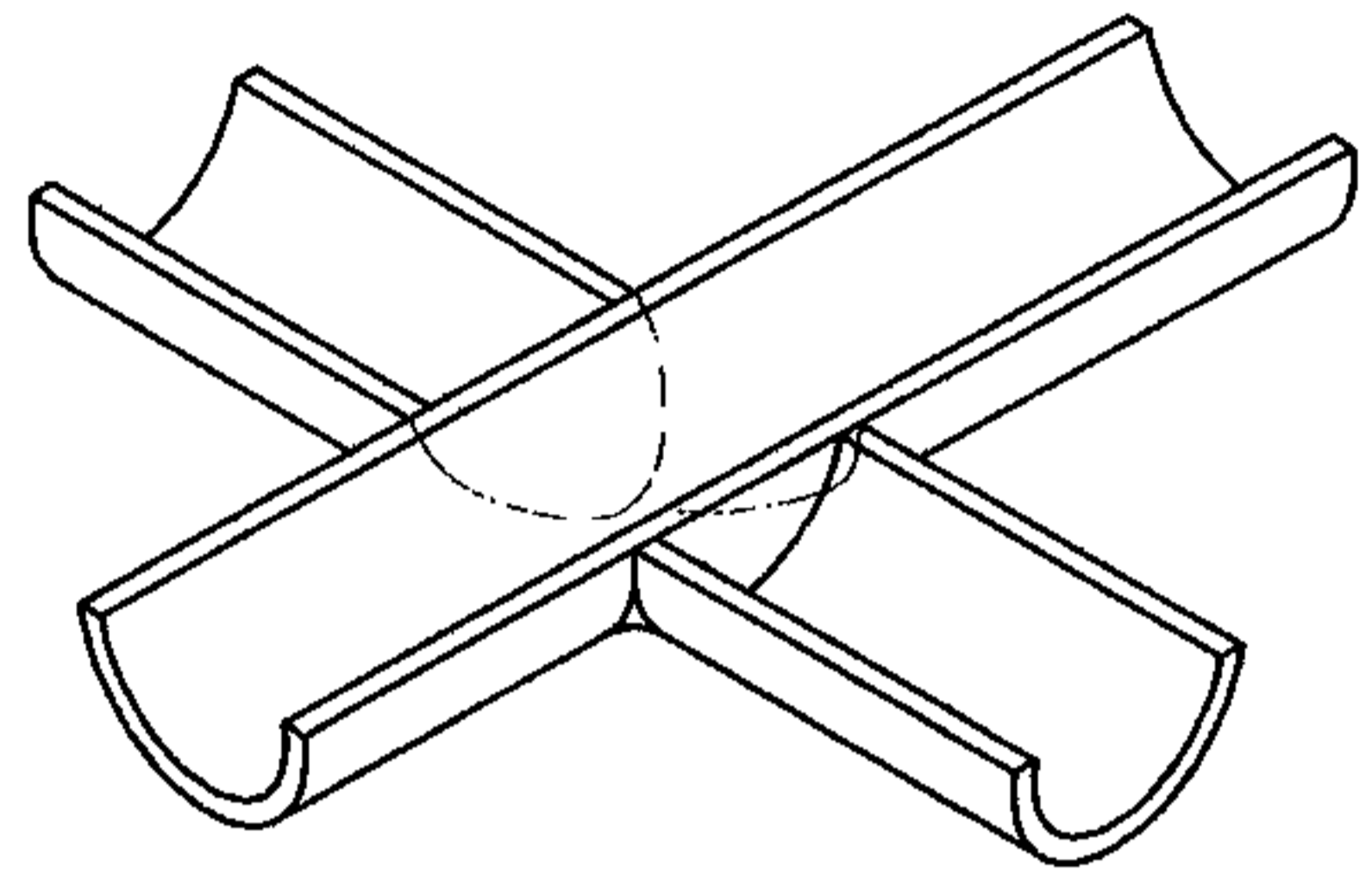
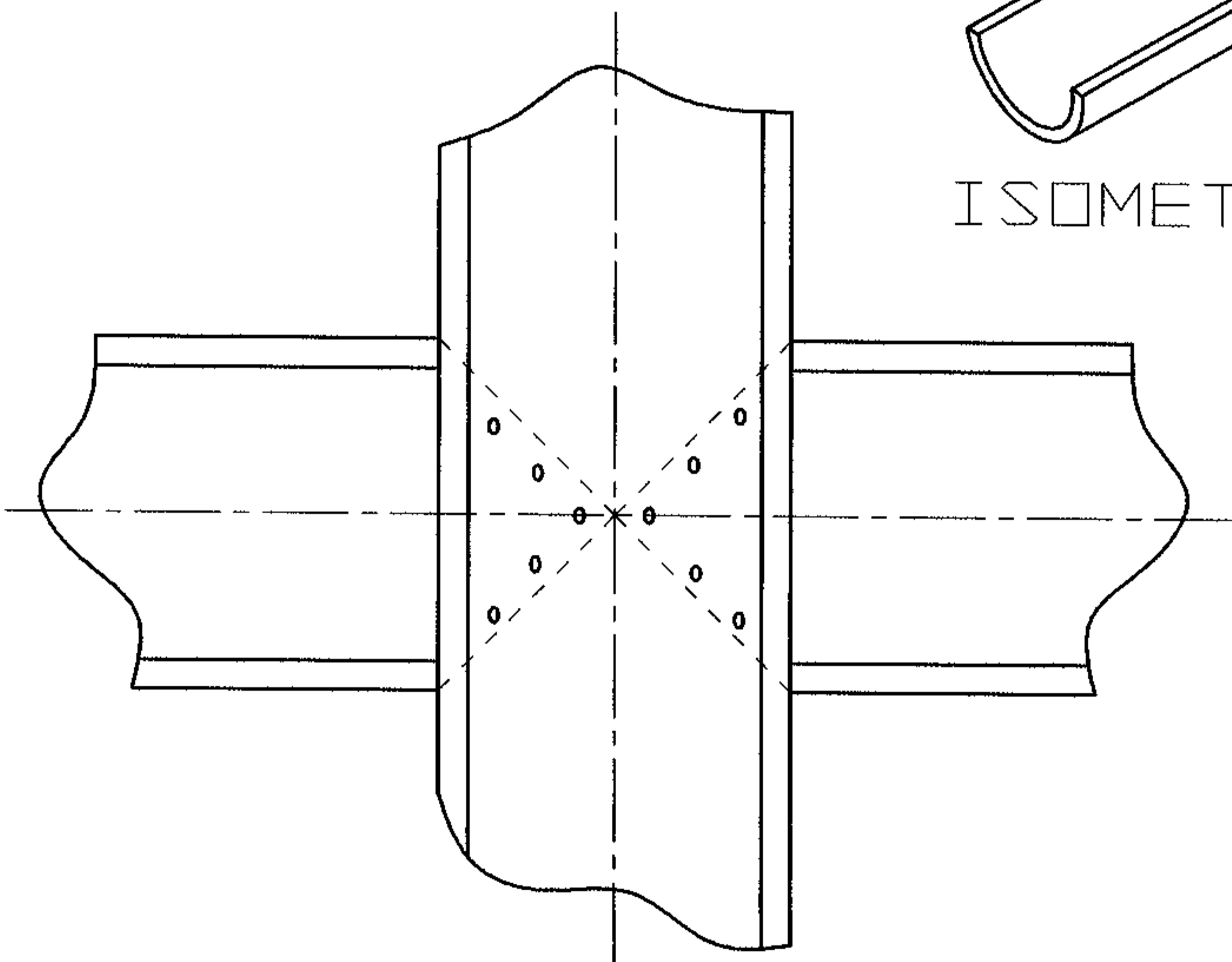


THERMAL
STRUCTURES
INC

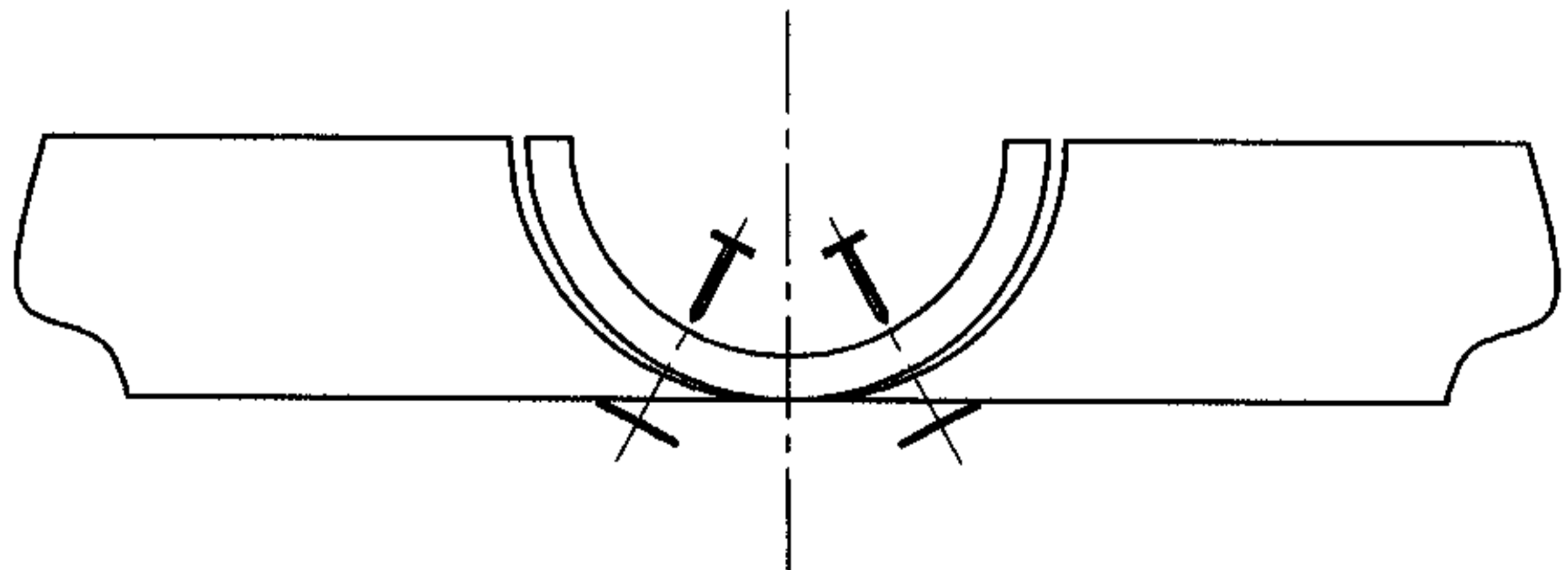
FIRE BARRIER
4 WAY INTERSECTION SPLICE
INSTALLATION INSTRUCTIONS



ISOMETRIC VIEW



PLAN VIEW



ELEVATION